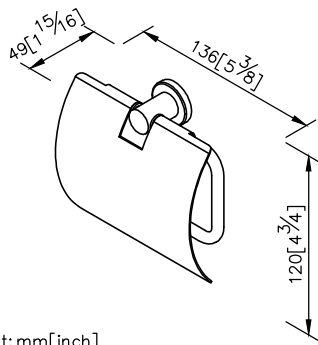
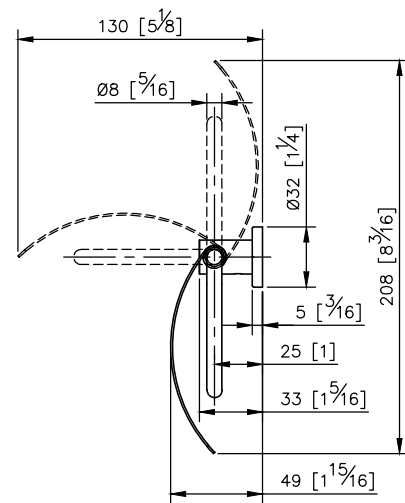
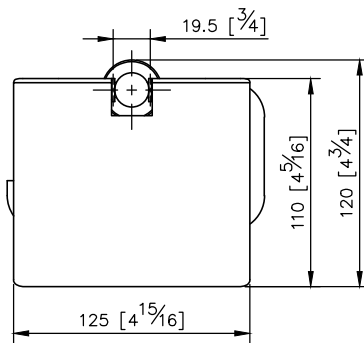
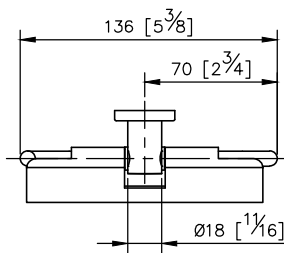


Toilet Tissue Holder W/Lid
6991-41-81S1

1. Stainless Steel body meets SUS 304 standard.
2. Premium metal construction for durability.
3. Justime finishes resist corrosion and tarnish.
4. Vertical force could support a static load of 5 kgf.
5. Coordinates with other products in 6991 collection.



unit: mm[inch]



Mounting Template Specification

