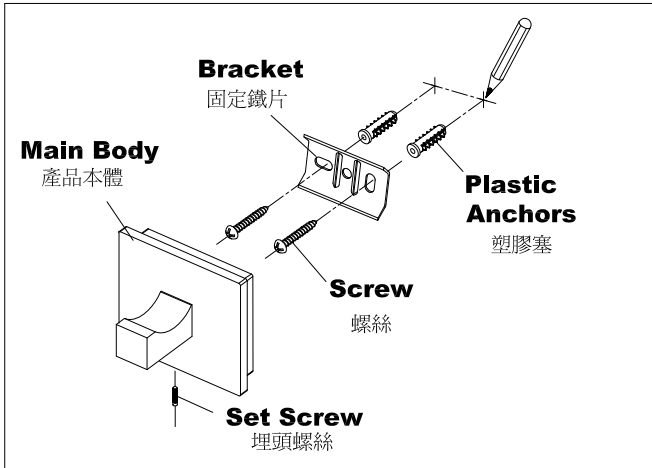


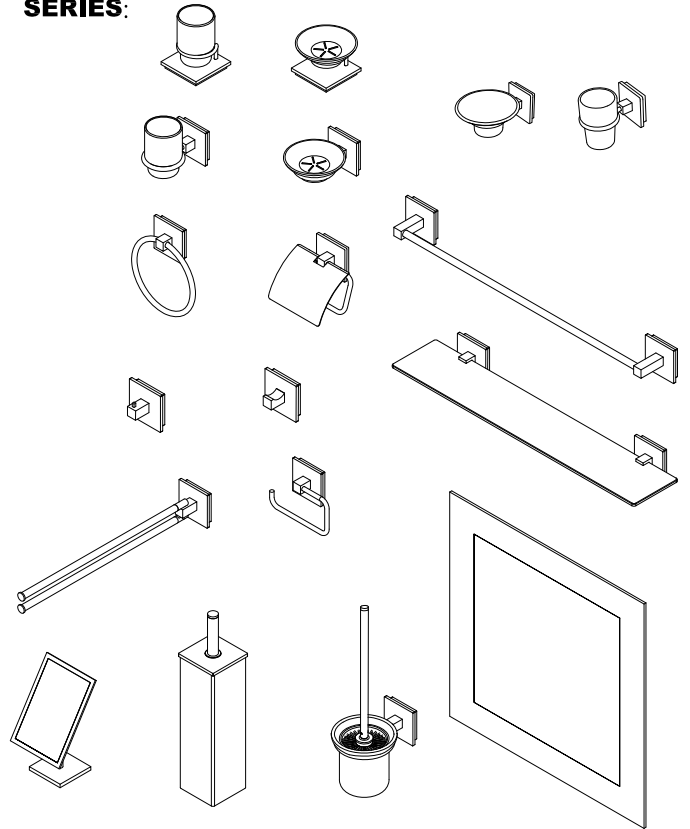
# MOUNTING INSTRUCTIONS

## 7801 安裝說明

- 1.) Use **Bracket** as template to locate appropriate drilling centers with pencil.  
使用固定鐵片和鉛筆在預定鑽孔的位置,畫上記號。
- 2.) Use 6mm drilling bit to drill holes in your marked locations, when mounting on drywall, insert **Plastic Anchors**.  
當安裝在水泥牆,使用1/4英寸鑽頭,鑽孔深度4公分,填入塑膠塞並使之齊平於牆面。
- 3.) Attach **Bracket** to wall with **Wall Screws**.  
將固定鐵片以螺絲鎖在牆面上。
- 4.) Locate the **Main Part** on the **Bracket** and secure with **Set Screw**.  
在固定鐵片上面掛住產品本體,並以螺絲起子由下方鎖緊埋頭螺絲,完成安裝程序。



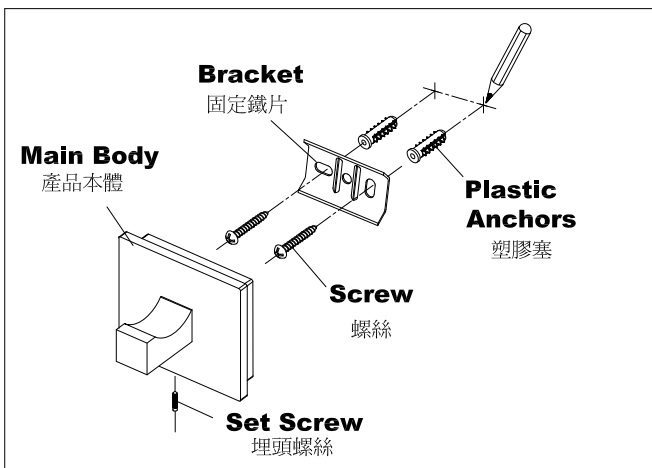
### 7801 SERIES:



# MOUNTING INSTRUCTIONS

## 7801 安裝說明

- 1.) Use **Bracket** as template to locate appropriate drilling centers with pencil.  
使用固定鐵片和鉛筆在預定鑽孔的位置,畫上記號。
- 2.) Use 6mm drilling bit to drill holes in your marked locations, when mounting on drywall, insert **Plastic Anchors**.  
當安裝在水泥牆,使用1/4英寸鑽頭,鑽孔深度4公分,填入塑膠塞並使之齊平於牆面。
- 3.) Attach **Bracket** to wall with **Wall Screws**.  
將固定鐵片以螺絲鎖在牆面上。
- 4.) Locate the **Main Part** on the **Bracket** and secure with **Set Screw**.  
在固定鐵片上面掛住產品本體,並以螺絲起子由下方鎖緊埋頭螺絲,完成安裝程序。



### 7801 SERIES:

