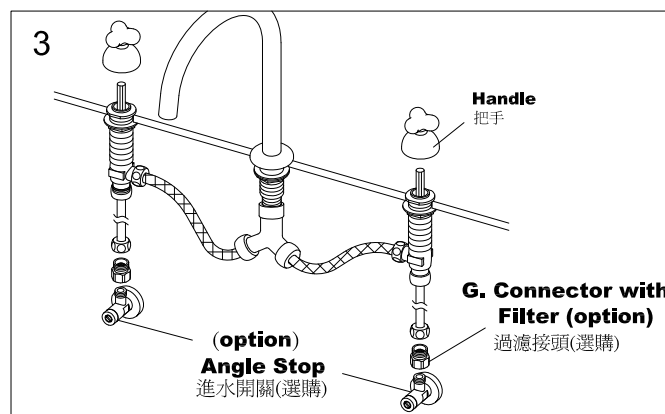
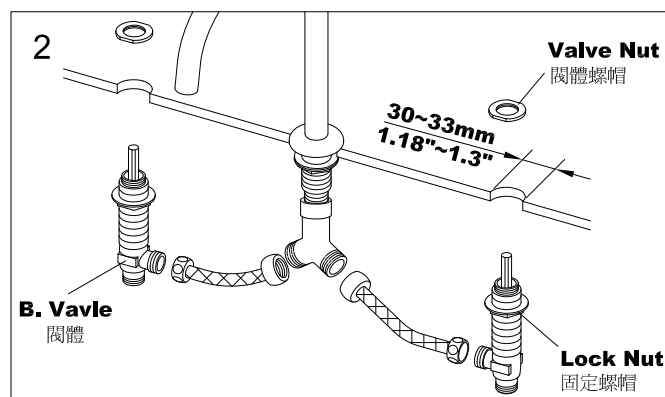
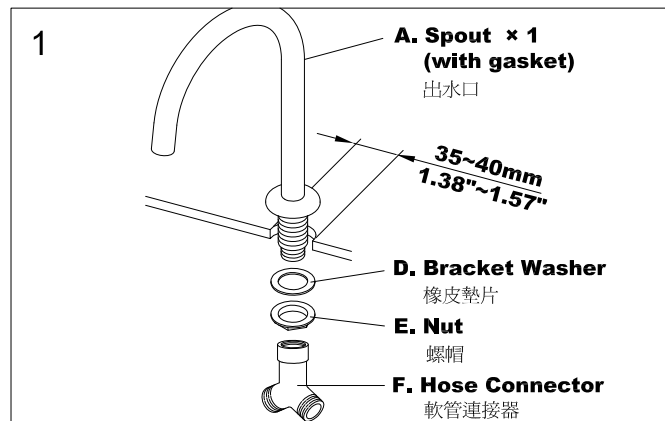


# INSTALLATION INSTRUCTIONS

PATENT NUMBER:  
專利號碼:

## TWO-HANDLES KITCHEN FAUCET

### 廚房龍頭安裝說明



### CAUTION : Risk Of Product Damage.

注意：為增加產品使用壽命，請依說明清潔供水管路。

a./ Turn the angle stops (water suppliers) on and run for 1 minute before connect supply hose (flexible hose) to faucet body. or b./

安裝編織管之前，先把供水開關全開排水一分鐘。或 b./

b./ Connect and tighten the faucet and angle stops with supply hose (flexible hose) to finish installation, then remove the aerator, fully turn on the hot and cold water valves on faucet and run for 1 minute, then turn off the water and reinstall the aerator.

把龍頭、供水開關及編織管接好並鎖緊之後，拆下起泡器，把熱水及冷水全部轉開一分鐘，然後把水關掉再把起泡器裝回去。

1. Position **Spout** on the deck for fixture, then place **Washer** onto **Spout**, tighten **Nut** securely, and screw **Hose Connector** onto **Spout**.

從龍頭本體下方依序套入橡皮墊片螺帽，確認龍頭方向位置後，鎖緊螺帽固定龍頭，再將軟管接器鎖緊固定於龍頭本體即可。

2. Remove **Valve-Nuts** from **Valves** before installing, insert **Valves** from underside through the holes of Deck and fasten **Valve-Nuts**, then align **Valves** so that the tee ends(outlet) face to **Spout** and secure **Valves** by tightening **Lock-Nuts**.

從閥體上拆下閥體螺帽，把閥體從檯面下方穿過孔並且鎖上閥體螺帽，然後將閥體的出水口端面向出水口並用固定螺帽鎖緊閥體。

3. Ensure that **Handles** are properly aligned and **Valves** are in closed position, then tighten the foundation of **Handle**. Install **Connector with filter (option)** onto the outlet of **Angle Stop** first, then connect **Flexible Hoses** from **Valves** to **Spout** and **Connector with filter**.

確定閥體開關都是關閉的並且把手皆對齊，再將把手的基座鎖緊。先連接過濾接頭(選擇性零件)到進水開關，然後連接不銹鋼軟管從閥體到出水口及過濾接頭。

## FIXING CONTENTS

### 組配件內容

