

Two-Handle Valve (Upward Outlet)  
7909-9H-81CP

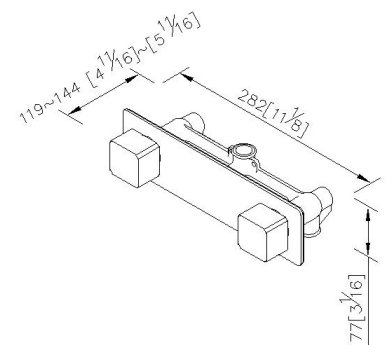
**INTRODUCTION:**

Designed main body style as square shape, the aesthetics of symmetry exudes a stylish and charming atmosphere. With R angle processed, it softens the right angle of hard steel, and brings more soft and elegant atmosphere to a bathroom space.



**DESCRIPTION:**

1. The body of valve should be buried in the wall beforehand with 1"(2.5cm) adjusting tolerance in depth.
2. The connecting thread of main body is G 1/2.
3. Handle valve turning range from closed position: 90°
4. The inlet of both sides are assembled with the check valves for avoiding the backflow of cold and hot water.
5. Casting valve body material meets ISO CuZn40Pb standard.
6. Forging handle material meets JIS 3771 standard.
7. Brass with chrome-plated; SC2 standard of ASTM for 5 years guarantee; pass 96 hours Salt Spray Test.



unit: mm[inch]

**Certification:**

**Fixing Kits:**

- 1.

**AWARD:**