

Three-Handle Valve (Three Outlets)
7920-Z3-81CP

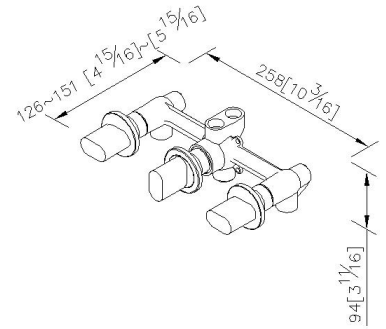
INTRODUCTION:

JUSTIME makes some transformation in oval to increase a sense of modernity, fitting the fashion of this generation, and adding elegant style into 6920 Series.



DESCRIPTION:

- 1.Casting valve body material meets ISO CuZn40Pb standard.
- 2.Forging handle material meets JIS 3771 standard.
- 3.The body of valve should be buried in the wall beforehand with 1"(2.5cm) adjusting tolerance in depth.
- 4.Chrome plated finish meets the ASTM-SC2 standard.
- 5.The connecting thread of main body is G 1/2.
- 6.Coordinates with other products in Perfecto collection.



unit:mm[inch]

Certification:

Fixing Kits:

- 1.N/A

AWARD: